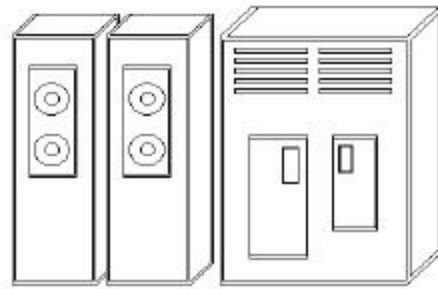


3770 SNA/RJE Emulation for Remote Windows® PCs & Clients to Microsoft® Host Integration Server & IBM Communications Server

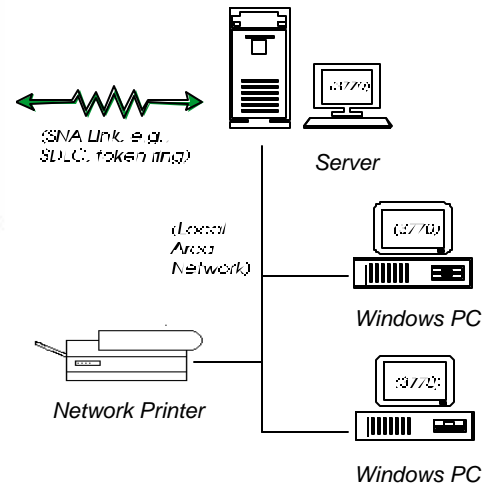
3770Link™

IBM 3776/3777 SNA/RJE Emulation



Enterprise Host

Typical 3770Link Client/Server Environment



Use 3770Link when your needs call for:

- SNA Remote Job Entry (RJE)
- Remote Mainframe Printing
- Mainframe File Transfer
- Electronic Data Interchange
- Electronic Funds Transfer
- U.S. Customs ABI Applications
- Freight Forwarding Applications
- Remote Data Collection
- Other 3770 emulation needs

3770Link™ offers full-featured IBM 3776/3777 SNA/RJE terminal emulation for Microsoft Windows PCs. Use the intuitive menus for interactive operations or take advantage of the powerful script language for automated, unattended sessions. 3770Link also supports a DDE interface for script commands, permitting tight integration with user-written application programs.

Menu-Driven Interactive Interface

When direct interactive control is desired, 3770Link's GUI is state-of-the-art – a precise point and click interface with pull-down menus, toolbar buttons, and context-sensitive help. A single mouse click can log on to the remote host; multiple LU sessions can be conducted simultaneously with real-time status information visible during file transmission and reception.

Scripts for Unattended Operation

3770Link's script language automates the functions of 3770Link menus. There are commands for establishing a "hot reader", looping, branching, and error control. There is a command to run external processes, and others that permit programmatic control from a user-written application. Operation of 3770Link in unattended mode can be as simple as clicking on a desktop icon. After a session, review the results by viewing 3770Link's log file which contains a complete session history.

Application Integration

For developers, 3770 sessions can be invoked from and directly controlled by a user-written program to integrate mainframe connectivity into your custom applications. For advanced applications, 3770Link can be configured as a server to provide an RJE gateway for multiple users in a networked environment.

3770Link as an NT Service

3770Link can be installed as an NT Service on Windows NT, 2000, and XP. This permits automatic loading of 3770Link on system startup and completely unattended operation.

Client Version

The client version of 3770Link operates with Microsoft Host Integration Server and IBM Communications Server. 3770Link can reside either on the server machine or a network station. Multiple copies of 3770Link may be in use across the network simultaneously.

Remote Version

The remote version of 3770Link is completely self-contained and operates without the need for a server. This version typically is used for dial-up or leased line sessions over an SDLC connection. In dial-up environments, AutoSync support eliminates the requirement for an internal SDLC adapter. DLC (Token Ring and Ethernet) network connections are also supported (Windows NT, 2000, XP only).

3770 Emulation Features

- IBM 3776/3777 Model 3 or Model 4 emulation (SNA Logical Unit type 1)
- LU-LU and SSCP-LU sessions
- Up to six concurrent sessions supported
- Receive to console, printer, or disk file
- Automatic ASCII - EBCDIC translation
- Single or multiple PDIR record recognition
- FMH 1 and FMH 3 support
- Bi-directional data compression and expansion
- Expansion of compacted host data streams

Supported Host Environments

- Host systems: POWER (DOS/VSE); JES2 and JES3 (MVS); other VTAM environments; and others

Client/Server Version

- Host connections: SDLC; SDLC; 802.2; X.25; Channel; DFT (or other server supported link)

Remote Version

- Host connections: SDLC; 802.2

Advanced Features

- Detailed log file with date and time stamps
- Session-level diagnostics
- Automatic server LU recognition
- Formatted (automatic) and unformatted logons
- "Hot reader" feature for automatic file transmission
- Automatic concatenation of transmitted files
- Automatic naming of received files
- Supports multiple configurations
- Supports BTU sizes up to 4K bytes
- Supports links to multiple hosts (client version)
- Transmission and reception of binary files
- Real-time session statistics
- Configurable ASCII - EBCDIC translation tables
- PDIR support allows host to name files, pass parameters, route files, and more
- Submit commands to 3770Link "RJE Server" from user-written client program via Windows DDE

Script Language For Unattended Operation

- Execute scripts from the command line, batch files, parent processes, or the 3770Link menu
- Execute external processes and evaluate results
- Accept commands from a client process
- Command line parameter substitution
- Call scripts from within scripts
- Time-activated commands
- Branching and looping commands
- Extensive result codes and error testing

RISK-FREE GUARANTEE!

If you are not completely satisfied with any Serengeti product, return it within 30 days of purchase for a refund of your purchase price.

Copyright © 2002 Serengeti Systems Incorporated. All Rights Reserved. Specifications are subject to change without notice. 3770Link and SyncPCI are trademarks of Serengeti Systems Incorporated. Other trademarks and tradenames are the property of their respective owners.

3770link.p65 (01/07/2002)

3770Link System Requirements

- Pentium or Athlon PC (or compatible)
- Windows 98 / NT / 2000 / XP

Microsoft Host Integration Server Version

- Microsoft HIS, SNA Server or SNA Workstation
- SNA Server supported link adapter

IBM Communications Server Version

- IBM Communications Server for Windows NT
- IBM Communications Server supported link adapter

Remote Version

- Serengeti SyncPCI™ SDLC adapter; or
- 802.2 (Token Ring or Ethernet) adapter with DLC protocol installed; or
- Available COM port with Hayes Optima modem using AutoSync

Serengeti SyncPCI SDLC Adapter

- For use with 3770Link remote version
- Auto-dial and auto-answer modem support
- Virtual modem panel display software included
- 32-bit Bus Master PCI adapter
- Plug and Play installation
- Link speeds up to 64K bps (RS232C interface)

It's Easy Doing Business With Serengeti Systems

- 3770Link "look & feel" demo program available
- Printed 3770Link documentation provided at no additional cost
- Technical support library on www.serengeti.com
- Development services for your custom applications

SNA Server Version

Designed for



Microsoft
BackOffice

For more information, call (800) 634-3122



Serengeti Systems Incorporated

812 West 11th Street
Austin, TX 78701-2022

Voice: (512) 345-2211

Fax: (512) 480-8729

E-mail: sales@serengeti.com

WWW: <http://www.serengeti.com>



Serengeti Systems Incorporated

812 West 11th Street
Austin, Texas 78701
(512) 345-2211
sales@serengeti.com

ORDER FORM

- CALL (800) 634-3122
- FAX to (512) 480-8729
- MAIL

1. CUSTOMER INFORMATION

Contact _____
 Title _____
 Company _____
 Address _____
 City, ST Zip _____
 Phone _____ FAX _____

2. SHIP TO (IF DIFFERENT)

3. ORDER INFORMATION

ITEM	QTY	PRICE	TOTAL
1 _____	_____	_____	_____
2 _____	_____	_____	_____
3 _____	_____	_____	_____
4 _____	_____	_____	_____
5 _____	_____	_____	_____
SUB-TOTAL	-	-	_____
SALES TAX (SHIPMENTS WITHIN TEXAS ONLY)	-	CALL	_____
SHIPPING & HANDLING	-	CALL	_____
TOTAL DUE	-	-	_____

4. PAYMENT INFORMATION

- Check Check # _____
- COD Cashier's Check or Money Order
- Visa Card # _____ Exp. Date ____/____
- MasterCard Name on Card _____
- AmEx
- Wire Xfer Signature _____

5. TERMS & CONDITIONS

SHIPPING & HANDLING: All pricing is FOB Serengeti's facility in Austin, Texas. Shipping options include United Parcel Service, Airborne Express, Federal Express, DHL, or other service upon request. Call for shipping and handling charges.

WARRANTY & SERVICE: Unless otherwise specified, all products include a 30 day money back guarantee. If for any reason you are not satisfied with your purchase within 30 days, return it to us in its original packaging for a full refund of the purchase price less shipping. Certain items may require a restocking fee. Serengeti's products include a 12 month defect warranty. See terms of purchase at <http://www.serengeti.com> for further details.

NOTICE: All product specifications, terms, pricing, and availability are subject to change without notice.